

The electronic product catalogue as strategic sales concept of a small enterprise

Speaker

introduction KSM-PREISSER

interactive distribution with eCATALOGsolutions

intention of the collaboration with CADENAS



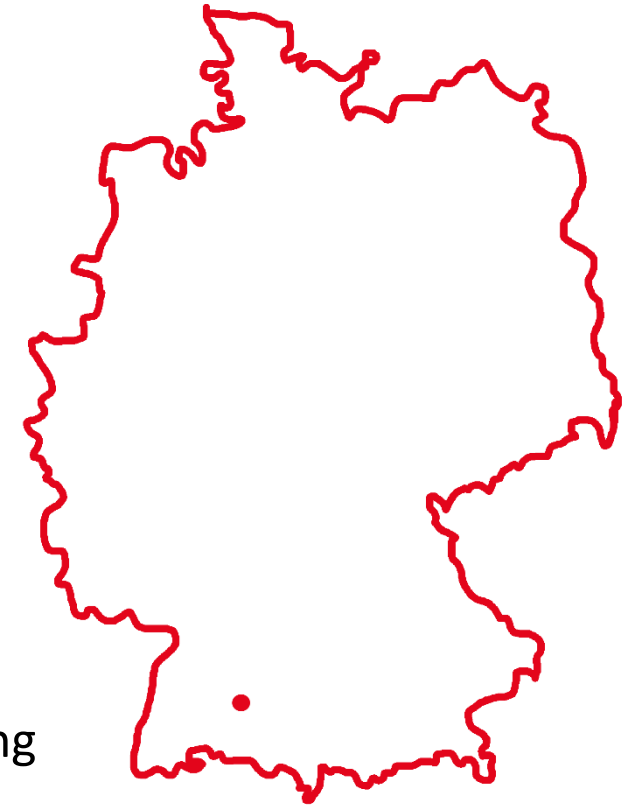
Diethardt Prei er

Owner of KSM-PREISSER

Since 1987 in the measurement instrumentation industry



founded:	January 1 st 2013
location:	Gammertingen, Baden-Württemberg
employees:	3 persons
industry:	automotive supplier, consumer products and manufacturing systems engineering
distribution:	worldwide

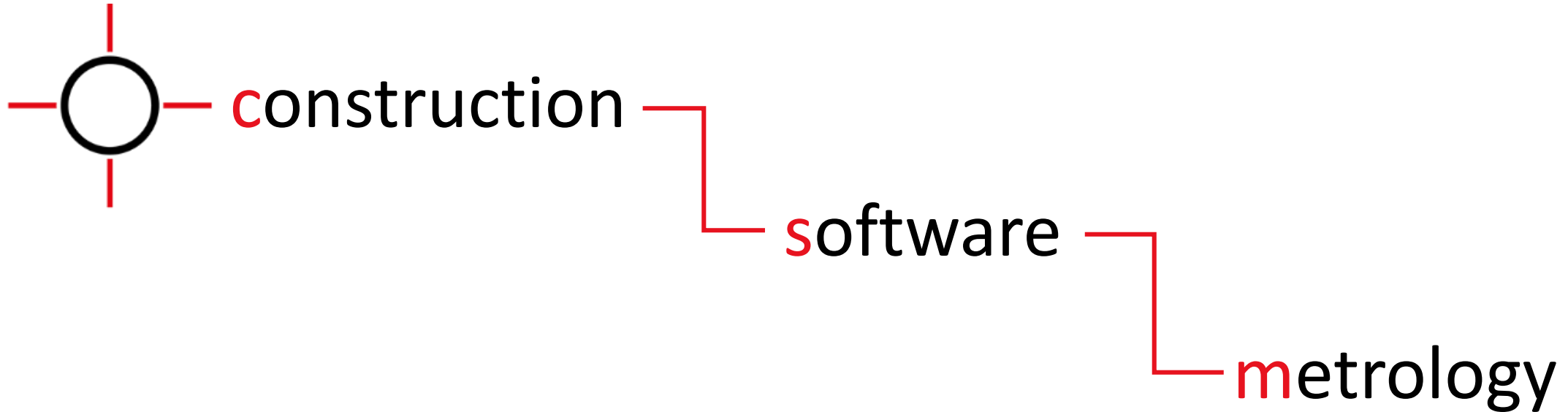


KSM stands for...

introduction KSM-PREISSER

interactive distribution with eCATALOGsolutions

intention of the collaboration with CADENAS



manual metrology

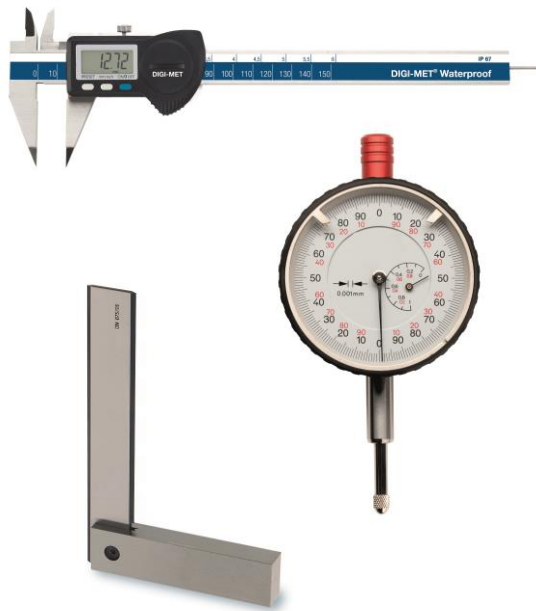
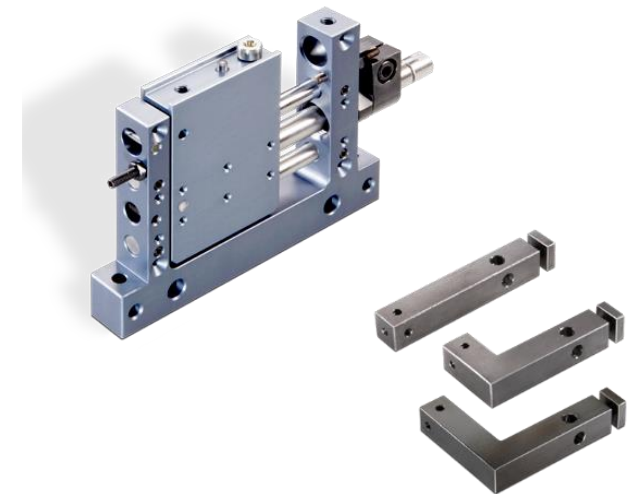


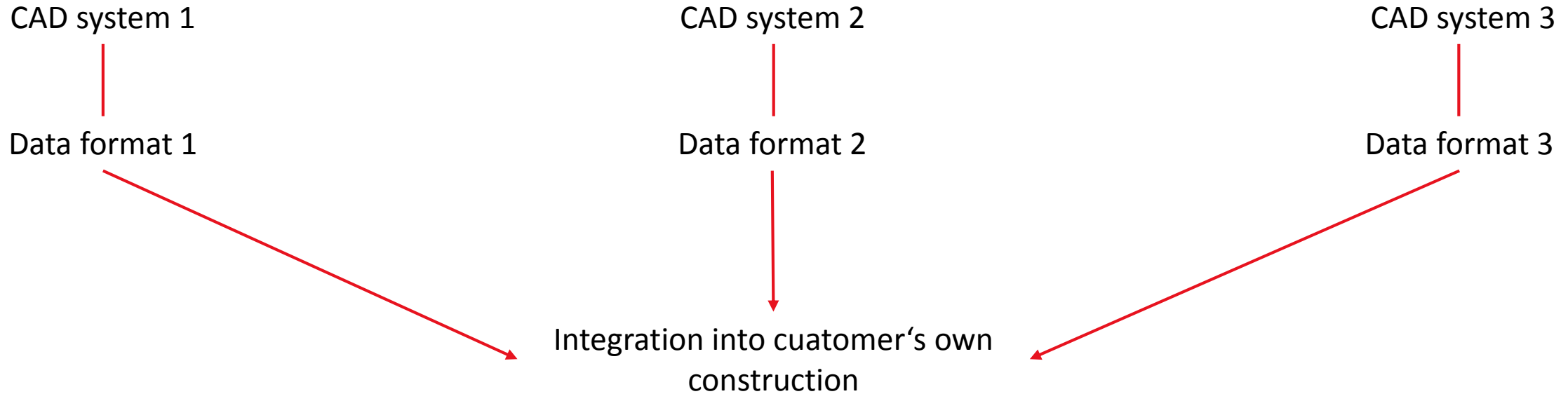
table top metrology devices



standard measurement elements



Integration of CAD-Models



Extremely time consuming because of search and problems with the different formats of the CAD-Models

Integration of CAD-Models 2.0

introduction KSM-PREISSER

interactive distribution with eCATALOGsolutions

intention of the collaboration with CADENAS

CAD system: KSM-Preisser

1 standard format

Integration into customer's own
construction

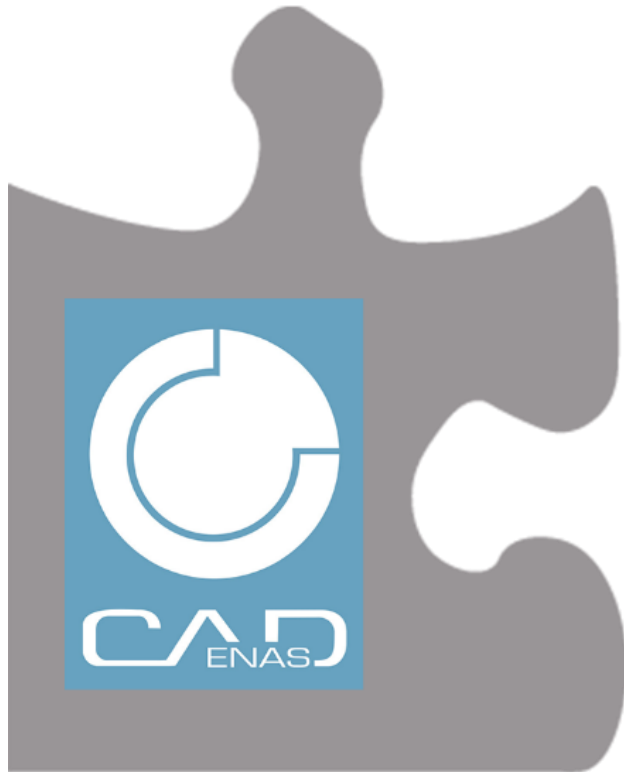
No longer time-consuming search.
But: still time and effort to convert the format if the standard format
does not fit

Cooperation with...

introduction KSM-PREISSER

interactive distribution with eCATALOGsolutions

intention of the collaboration with CADENAS



Integration of CAD-Models 3.0

introduction KSM-PREISSER

interactive distribution with eCATALOGsolutions

intention of the collaboration with CADENAS

CAD system: KSM-Preisser



Embedded link on
product side

10. Handmesstechnik | 20. Tischmessgeräte | 30. Messelemente

Suche... Startseite » 20. Tischmessgeräte » 0125.01 Auflageprisma APH 215-R keine Produkte

10. Handmesstechnik
20. Tischmessgeräte
30. Messelemente

Kontakt

- Ticketcenter
- Lageplan
- Ansprechspartner

Mehr über...

- Impressum
- Inhaltsverzeichnis
- Widerrufsrecht
- AGB
- Liefer- und Versandkosten
- Privatsphäre und Datenschutz

Sonstiges

- Downloads
- Zum CAD-Portal
- Zur Homepage
- Paycode

Sicher Bezahlen

SOFORT ÜBERWEISUNG

0125.01 Auflageprisma APH 215-R

Art.Nr.: 2001250101

Lieferzeit: innerhalb 1 Woche

Sperrgut: [Sperrgut?](#)

Prüfzertifikat: [Prüfzertifikat?](#)

Dokumente:


-

ARTIKELBESCHREIBUNG


Embedded Link

Geben Sie Ihre E-Mail Adresse ein und wählen Sie ein CAD-Format um kostenfrei CAD-Daten zu erhalten.







E-Mail Adresse:

Format Auswahl: <Formatauswahl> 

[Download](#) [PDF Datenblatt](#) [E-Mail senden](#)

 KSM Auflageprismen HM_APH-215 Artikel Nr. 20 0125 0101

Verfügbare Produkte: 1

Name	Bezeichnung		Wert
KB	Kurz-Bezeichnung		HM_APH-215
AN	Artikel Nr.		20 0125 0101
ZN	Zeichnungs Nr.		11.00001.00.000.0
E	Einheit		St.
G	Gewicht		19 g
DL	KSM-DOKU WEblink		Produktinfo

[Modus 3D Ansicht](#)

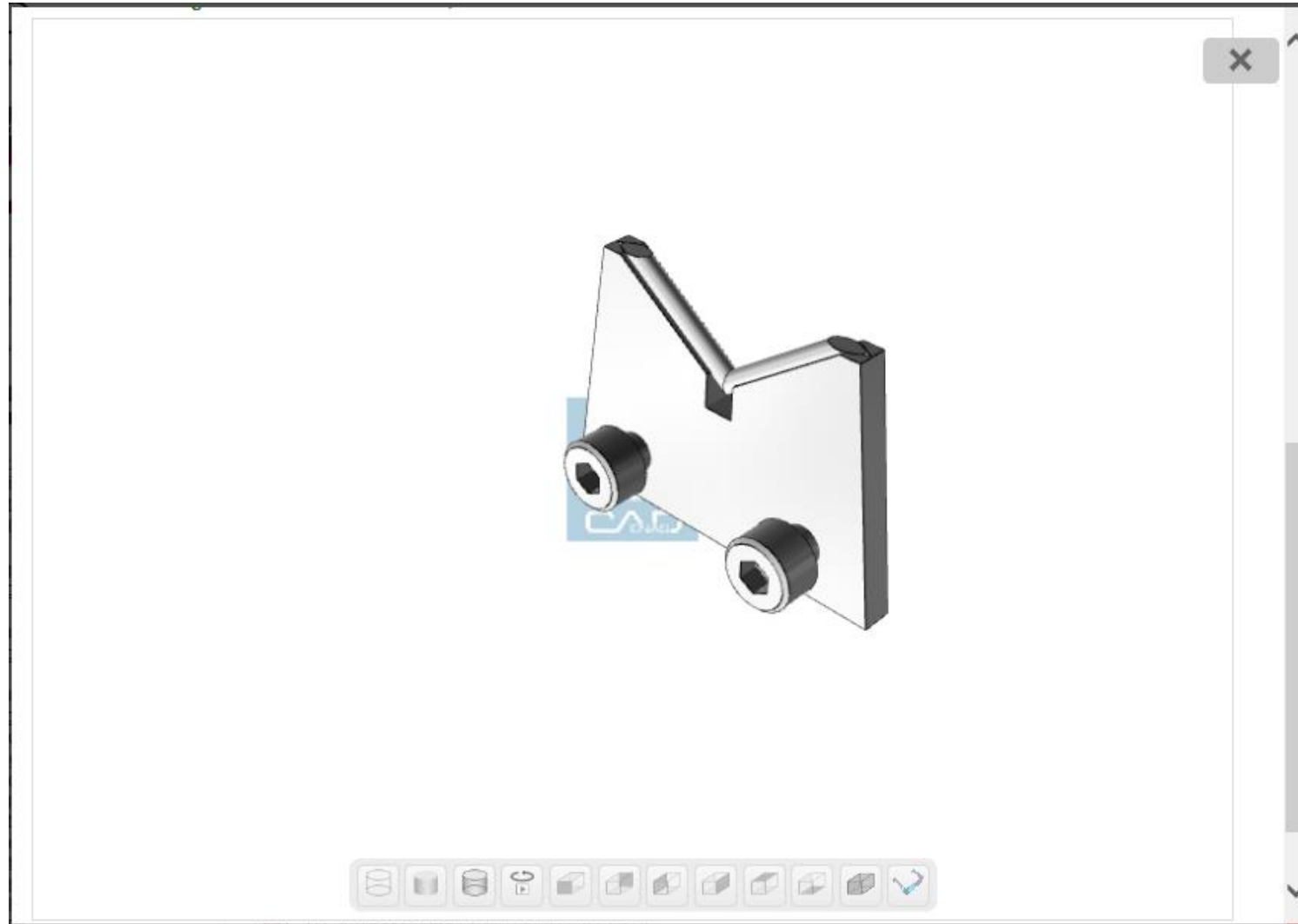
Dies ist eine vorgenerierte Standardansicht, die sich von Ihrer Auswahl unterscheiden kann.

Embedded Link

introduction KSM-PREISSER

interactive distribution with eCATALOGsolutions

intention of the collaboration with CADENAS

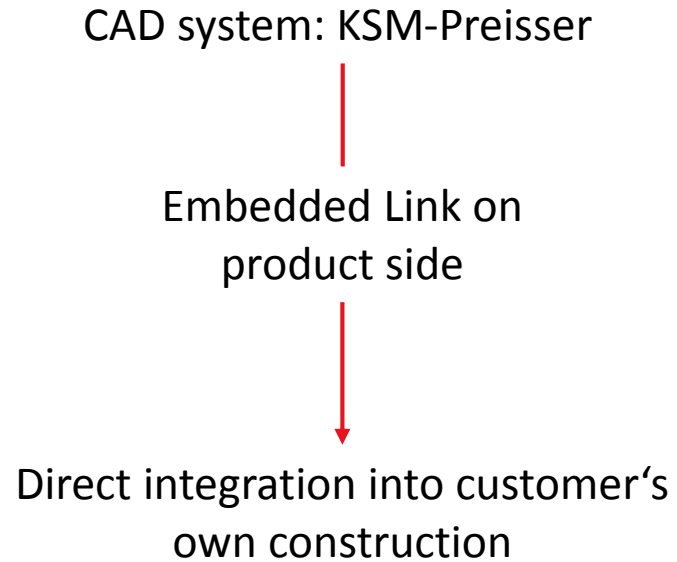


Integration von CAD-Modellen 3.0

introduction KSM-PREISSER

interactive distribution with eCATALOGsolutions

intention of the collaboration with CADENAS

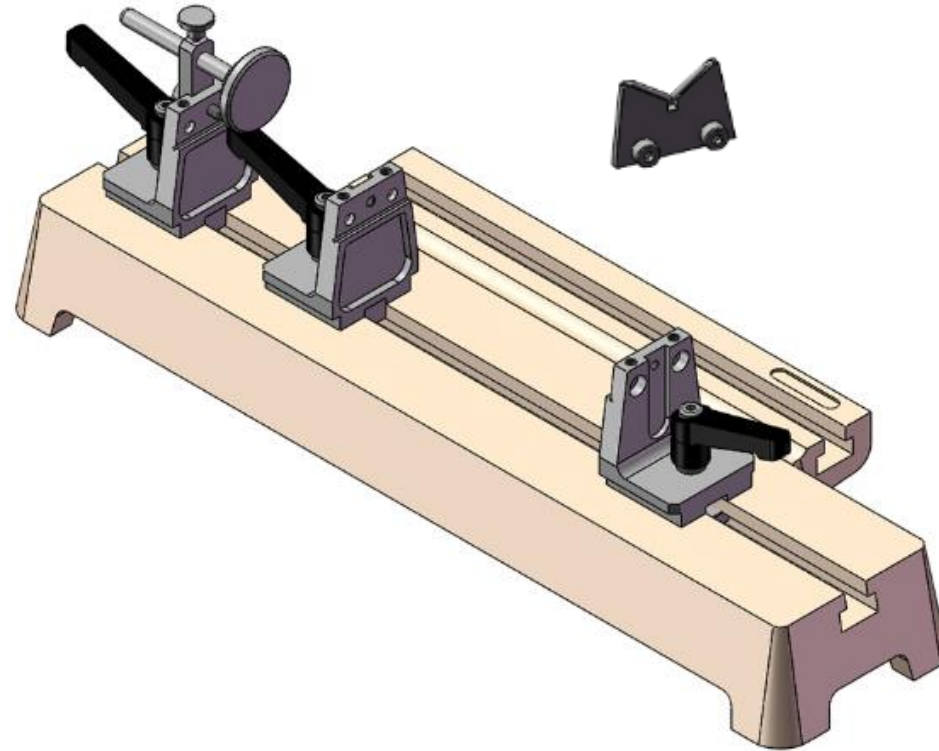


Embedded Link

introduction KSM-PREISSER

interactive distribution with eCATALOGsolutions

intention of the collaboration with CADENAS



No time-consuming search and directly fitting format for your CAD-system.

The interactive Workbook

introduction KSM-PREISSER

interactive distribution with eCATALOGsolutions

intention of the collaboration with CADENAS

KSM PREISSER
konstruktion software messtechnik

HANDMESSTECHNIK



A digital depth gauge with a black plastic frame and stainless steel rule. The digital display shows '0.00'. The frame has 'REF. Imprimisch' and 'ON/OFF HOLD' buttons. The rule has 'ID-NR. 07-202023' and 'Made in Germany' printed on it.

Wir messen uns an Ihren Aufgaben.

KSM PREISSER
konstruktion software messtechnik

TISCHMESSGERÄTE

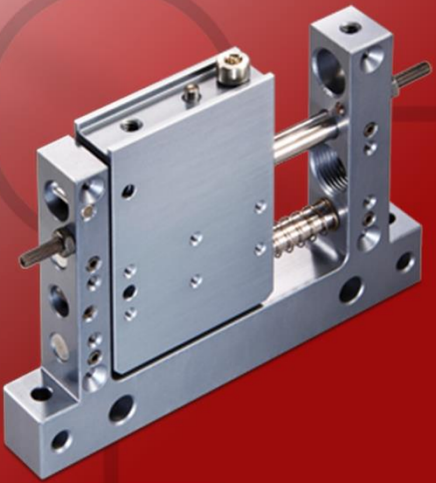


Two precision-machined metal angle blocks, one larger than the other, both featuring a V-shaped notch and a threaded hole for clamping.

Wir messen uns an Ihren Aufgaben.

KSM PREISSER
konstruktion software messtechnik

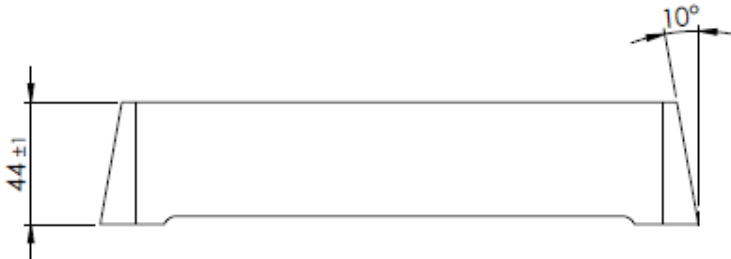
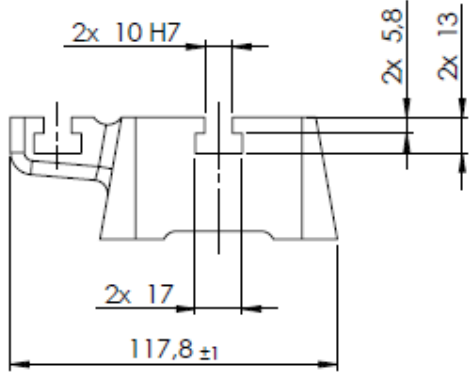
MESSELEMENTE

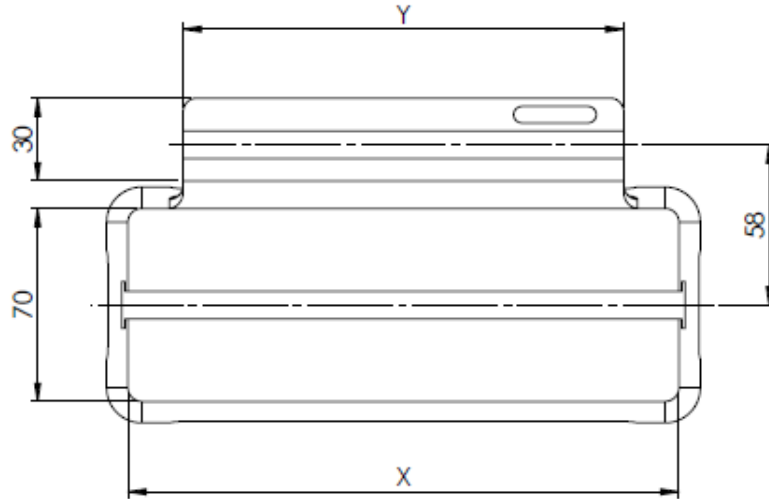


A complex precision measuring fixture made of metal, featuring a central threaded rod and various adjustment points and holes.

Wir messen uns an Ihren Aufgaben.

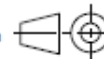
The interactive Workbook

	1	2	3	4	5	6	7	8	
A								Seite 3, Auflage 10/14.1 DE CAD-Direkt: klick auf Memo im eKatalog anzeigen	
B									
C								M 1:5	
) Telefax +49 (0)7574/94990-01	



Artikelnummer / Ref. - No.			
Ausführung / versions			
Memo	"x"	"y"	Standard
AT 200	200	160	200110 1020
AT 350	350	215	200110 1035
AT 500	500	365	200110 1050

Schutzvermerk DIN ISO 16016 beachten / referred to protection notices ISO 16016.
 www.ksm-preisser.de - konstruktion@ksm-preisser.de - Telefon: +49 (0) 574/9499-00

KSM-PREISSER Konstruktion Software Messtechnik		Benennung:	
Maßeinheit: mm Werkstückkanten DIN ISO 13715		 Aufspanntische AT 200, AT 350, AT 500	
Tolerierung ISO 286-1 Allgemeintoleranz DIN ISO 2768 - mk		Artikel: _____ Memo: _____ Zeichnungsnummer: _____ DIN A3 Blatt: 1 von: 1	
Oberfläche DIN ISO 1302		Maßstab: 1:2 Status: 20.10.2014 - M. Preißer	

The interactive Workbook

introduction KSM-PREISSER

interactive distribution with eCATALOGsolutions

intention of the collaboration with CADENAS

Allows interactive sales since...

... it provides a quick overview of our solutions

... it is available both electronically and as hard copy

... it supports our customers' procurement and design departments

One stop shop with quick and easy integration

High automation and information density!

Thanks for your attention!

introduction KSM-PREISSER

interactive distribution with eCATALOGsolutions

intention of the collaboration with CADENAS

Your requirements are our scale.

Copyright and disclaimer

This document and any information included are the sole property of KSM-PREISSER. The availability of this document or the disclosure of its content do not grant any rights for use or distribution of our intellectual property. Duplication or distribution is only permitted with prior permission of KSM-PREISSER. This document and the information provided may only be used for its intended use.

The statements made in this document do not represent a binding commercial offer. They are provided basing on the intended purpose and in good faith.