

Sheffer A Series

0150AFB00050NC0063D2-N037P15-(CLS-A1043)(MBP-406)
(REF-70406)

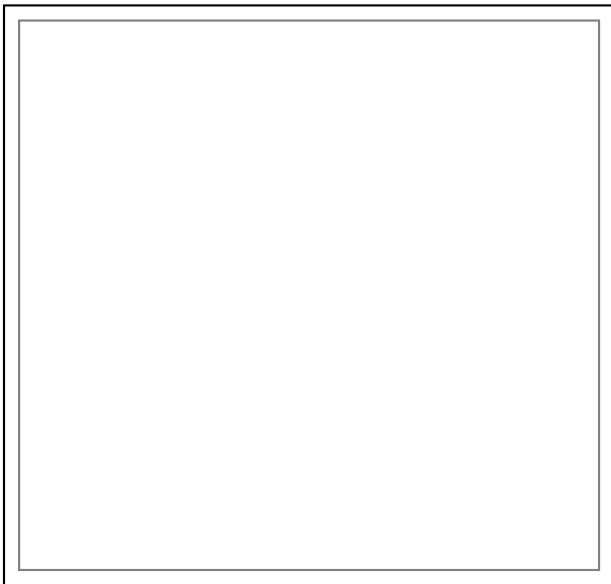


Your Local Distributor will contact you.

The Sheffer Corporation
6990 Cornell Road
Cincinnati, Ohio 45242
Tel: 513-489-9770
Fax: 513-489-3034

Product Number:

0150AFB00050NC0063D2-N037P15-(CLS-A1043)(MBP-406)(REF-70406)



Heavy-Duty Pneumatic

Pressure Rating:

250 PSI

Higher Pressure Ratings Available - Contact Factory For Design Assistance.

Bore Sizes:

1 1/8" to 14" Catalog Standards

Up to 48" Special Design

Mountings:

20 Catalog Standard Mounts

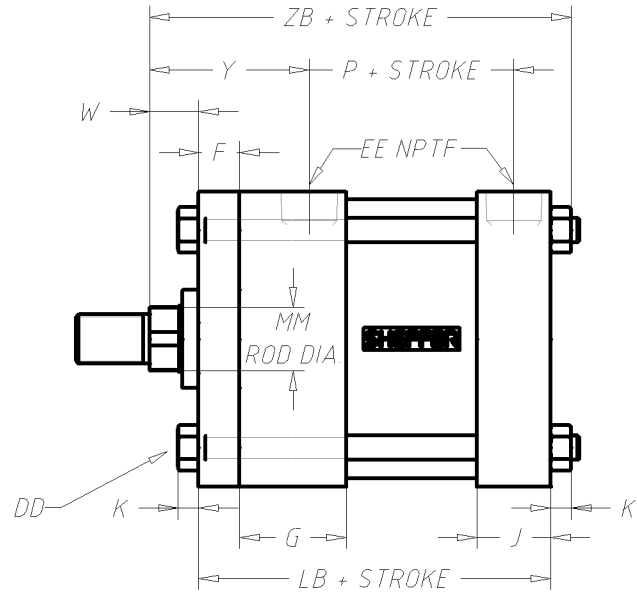
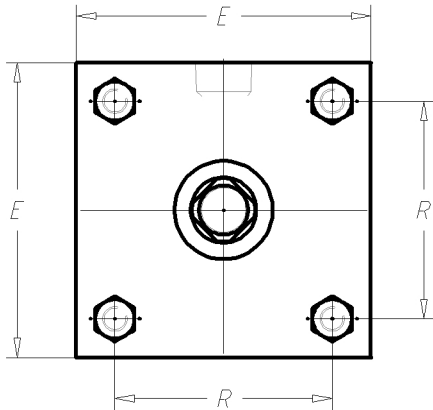
Special Mounts Available As Required - Contact Factory For Design Assistance.

Design Features & Benefits

- ANSI, NFPA, JIC Interchangeable Dimensions
- Custom Dimensions & Features Available
- Aluminum Tube Is Standard/Steel Tube Is Available
- Lubed For Life
- Studded Rod End With (4) Full Wrench Flats
- Hard Chrome Plated, Case Hardened Piston Rods

Sheffer A Series

0150AFB00050NC0063D2-N037P15-(CLS-A1043)(MBP-406)
(REF-70406)



Dim	Value (in)
MM	0.625
STROKE	0.5
E	2
F	3/8
G	1 15/32
J	31/32
K	7/32
Y2	1 15/16
ZB2	4 27/32
LB	4
P	2 1/4
R	1.43
W2	5/8
DD	1/4-28

Sheffer A Series

0150AFB00050NC0063D2-N037P15-(CLS-A1043)(MBP-406)
(REF-70406)



PN (Part No.)	0150AFB00050NC0063D2-N037P15-(CLS-A1043) (MBP-406)(REF-70406)
RT (Rod Selection)	Double Rod
BORE (Bore Size (in inches): / INCH)	1 1/2
MM (MM Rod Dia. / INCH)	0.625
STROKE (Stroke Length (in inches): / INCH)	0.5
MNT (Mounting Style (NFPA Mounting Code))	Foot Bracket Mount Style FB (MS1)
RS (Rod Style)	Male Rod w/ 7/16-20 x 0.75 Thd.
SRT (Specify Rod Type)	N/A
PT (Port Type)	NPT
FPL (Front Port Location)	1
RPL (Rear Port Location)	5
CU (Cushion)	Without Cushion
CFL (Front End Cushion Location)	N/A
CRL (Rear End Cushion Location)	N/A
ABS (Air Bleed Selection)	Without Air Bleed
ABL (Air Bleed Location)	N/A
RB (Rod Boot)	Without Rod Boot
NOTE1 (Message)	N/A
ERE (Extra Rod Extension)	Without Rod Extension
EREL (Extra Rod Extension Length / INCH)	0
ETE (Extra Thread Rod Extension)	Without Extra Thread Rod Extension
ETEL (Extra Thread Rod Extension Length / INCH)	0
DP (Dual Piston)	N/A
DPL (Dual Piston Length / INCH)	0
STU (Stop Tube)	Without Stop Tube
STUL (Stop Tube Length / INCH)	0
XI (Specify XI Dimension (Only Mounting Style T) / INCH)	0
TREL (Tie Rods Extended Length Selection)	N/A
BBS (BB Dimension Selection / INCH)	0
FEA (Front End Accessory)	With Rod Clevis
FESA (Front End Second Accessory)	With Pivot Mounting Bracket
REA (Rear End Accessory)	With Rod Eye
RESA (Rear End Second Accessory)	Without Rear End Second Accessory
S (Seals)	Standard

Sheffer A Series

0150AFB00050NC0063D2-N037P15-(CLS-A1043)(MBP-406)
(REF-70406)



PS (Piston Seals)	Standard
MATR (Rod Material)	Standard
EP (Paint)	Acrylic
TK (Thrust Key)	Without Thrust Key
NRR (Non Rotating Rod)	No
NOTE (Message)	N/A
WATF (Water Fitted)	No
NOTE2 (Message)	250
E (E / INCH)	2
F (F / INCH)	3/8
G (G / INCH)	1 15/32
J (J / INCH)	31/32
K (K / INCH)	7/32
Y2 (Y / INCH)	1 15/16
ZB2 (ZB / INCH)	4 27/32
LB (LB / INCH)	4
P (P / INCH)	2 1/4
R (R / INCH)	1.43
W2 (W / INCH)	5/8
DD (DD / INCH)	1/4-28